

APEX Heat Pump 48,000/60,000

TOSOT

**TU60-48AADU
TU60-48WADU**

Project Name:

Location:

Engineer Name:

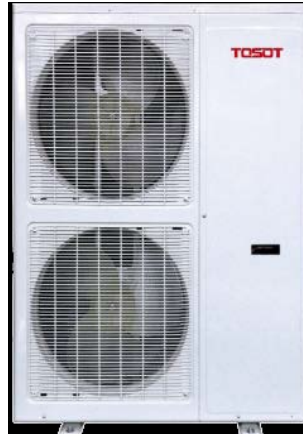
Purshaser:

Unit Designation:

Schedule No.

SubmittedTo:

Date:



General Features

- High And Low Pressure Protection Features
- Over Load Protection Features
- >50% Heating Capacity at -20C/-4F
- Stable Operation at -30C/-22F
- Built-In Drain Pan Heater
- Intelligent Defrost

- 24V Controls Compatibility
- Field Adjustable Capacity
- Universal Indoor Unit Compatibility

Unit Performance:

Cooling:	
48K Capacity (Min~Rated~Max, Btu/h)	20,000-48,000-50,000
60K Capacity (Min Rated Max, Btu/h)	25,000-57,000-60,000
SEER	17.5-18*
EER (Btu/h)/w	10-11*
Heating:	
24K Capacity (Min~Rated~Max, Btu/h)	20,000-48,000-50,000
36K Capacity (Min Rated Max, Btu/h)	25,000-57,000-60,000
HSPF	10*
COP (W/W)	N/A

Piping

Refrigerant Charge (ozs)	197
Liquid Line (in)	3/8
Gas Line (in)	3/4
Max Total Piping (ft)	164
Total Piping Length (with factory charge, ft)	25
Max Elevation between ODU and IDU (ft)	50

Operating Range:

Cooling (°F)	-5~125
Heating (°F)	-22~86

Unit Specification

Refrigerant Type	R410A
Refrigerant Control	EEV/TXV
Sound Pressure (dB(A))	58/60
Net Weight (lbs)	304
Heat Exchanger Coating	GoldFin™

Electrical Specification

Power Supply	208-230V / 60Hz
Communications Wire Size	AWG 18/4
MOP (A)	45
MCA (A)	39
Cooling Rated Amps (A)	19/25
Heating Rated Amps (A)	20/25
Control Voltage	24VAC

Compressor:

Quantity	1
Type	Inverter Rotary
Oil/Type	RB68EP

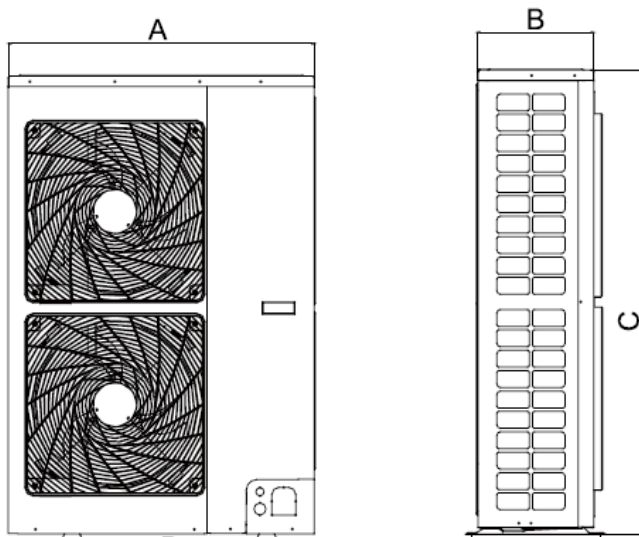
Fan

Type	Axial-flow
Quantity	1
Motor/Drive	DC motor/Direct drive



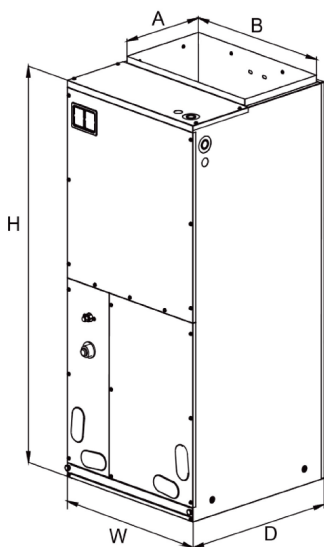
*Efficiency ratings when paired with a tested, certified AHRI matched indoor unit.

Outline Dimension Diagram



Outdoor Unit

	inch
A	37
B	12.6
C	56.3



Indoor Unit

W	D	H
24 7/8	21 1/4"	57"

Supply Air Opening

A	B
11 5/8"	20"

GLOSSARY

SEER - Seasonal Energy Efficiency Ratio

EER - Energy Efficiency Ratio

HSPF - Heating Seasonal Performance Factor

MOP - Maximum Overcurrent Protection

MCA - Minimum Circuit Ampacity

APEX Heat Pump 48,000/60,000

TOSOT

**TU60-48AADU
TU60-48WADU**



Air Handler		TU48-60AA-DU	TU60-48AA-DU
Cooling Capacity (btu/h)		48,000	57,000
Heating Capacity (btu/h)		48,000	57,000
Power Supply		208-230/1/60	208-230/1/60
Power Consumption (W)		500	600
Air Flow Volume (CFM)		1600	2200
MCA		5	5
ESP (in. W.G.)		0.5	0.5
Sound Pressure Level dB(A)		49	51
Liquid Pipe	In.	3/8	3/8
Gas Pipe	In.	3/4	3/4
Net Weight	lbs	179	179

Optional electric auxiliary heaters available in 5kW, 10kW, 15kW and 20kW capacities. Specifications pending.

Approved By:

Signature

Date

TOSOT

315 Boulevard Industriel, Châteauguay, QC, Canada J6J 4Z2
Contact: +1 (450) 698-4000
info@tosotamerica.com
tosotamerica.com